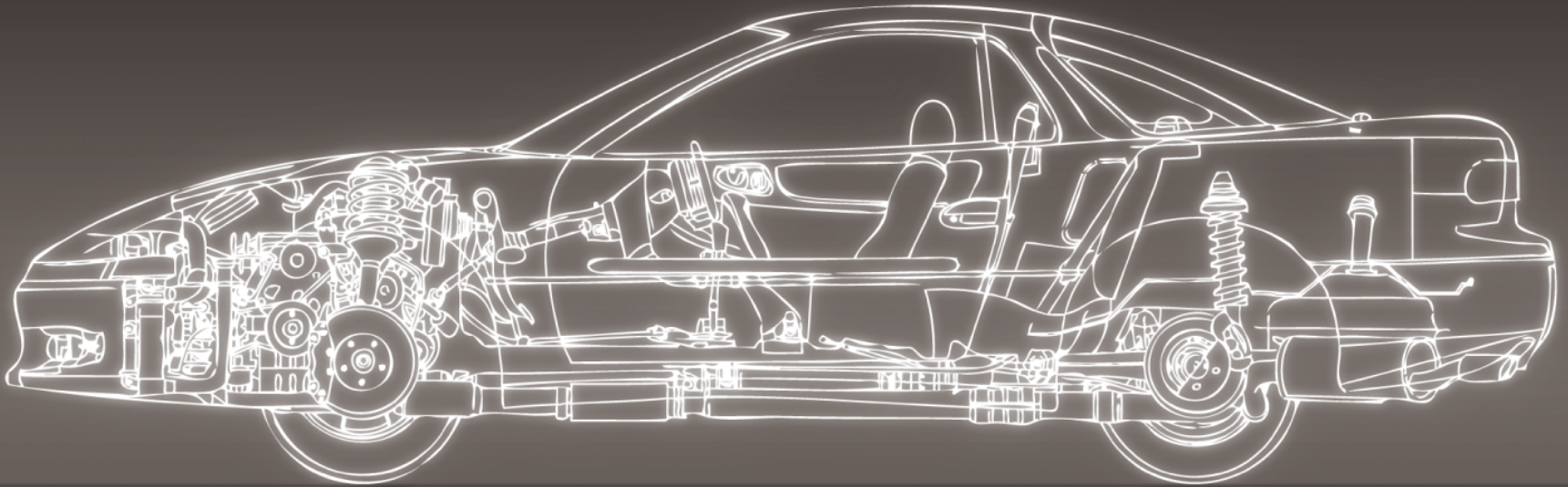


MEIJI SANGYO COMPANY

Company Profile



MEIJI SANGYO COMPANY

Global Supplier of OEM and Premium Quality Automotive Components



Meiji Sangyo Global Distribution

● Sales Office
● Group Company

MEIJI SANGYO (SHANGHAI) CO.,LTD.

MEIJI SANGYO COMPANY QINGDAO

MEIJI SANGYO EUROPE GmbH

MEIJI SANGYO COMPANY
JAPAN HEAD OFFICE

MEIJI SANGYO (THAILAND) CO.,LTD.

FRICITION MATERIALS CORPORATION
GRIFFINSTONE,INC.

MEIJI SANGYO SINGAPORE

Exported to more than 80 countries / 300 importers

ABOUT MEIJI SANGYO COMPANY

- Over 85 years experience serving the original equipment and Independent Automotive Aftermarket
- Relationships with key OEM manufacturers providing access to Genuine products for the Aftermarket
- Over 40 years experience understanding and serving the North American Auto Care Industry
- Global reach with a local footprint in all of the markets we serve
- Fiscally responsible, financially stable and diversified

GEN UINE

Seiken

OEM Hydraulic Brake & Clutch Parts



MEIJI is the sole distributor and supplies to OEM and the Aftermarket

Seiken is the OE manufacturer of rubber components for hydraulic brake and clutch cylinders.

North American Product Lines

Key Products in North America by Category

◆ Brake Systems

(Seiken)
 Brake Booster
 Brake Caliper Piston
 Brake Caliper Seal Kit
 Brake Hose
 Brake Master Cylinder
 Brake Master Cylinder Repair Kit
 Brake Wheel Cylinder
 Brake Wheel Cylinder Repair Kit

(TSK)

Parking Brake Cable

◆ Control Cables

(TSK)
 Accelerator Cable
 Choke Cable
 Clutch Cable
 Cruise Control Actuator Cable
 Fuel Lid Opener Cable
 Heat Control Cable
 Hood Release Cable
 Seat Adjustment Cable
 Sunroof Cable
 Transmission Cable
 Window Regulator Cable

◆ Clutch & Transmission

(Seiken)
 Clutch Master Cylinder
 Clutch Slave Cylinder
 Clutch Cylinder Repair Kit
 Clutch Cable
 Transmission Cable

◆ Engine Management,

Emissions & Fuel Systems

(MITSUBISHI)
 Air Temperature Sensor
 Boost Sensor
 Ignition Misfire Sensor
 Knock Sensor
 MAP Sensor
 Power Control Unit
 Camshaft Position Sensor
 Crankshaft Position Sensor
 Idle Air Control Valve
 Throttle Body

(AISAN)

EGR Valve
 Fuel Gauge Sending Unit
 Fuel Injector
 Fuel Pressure Regulator
 Fuel Pump
 Fuel Pump Module Assembly
 Throttle Lever Pedal Assembly Sensor

(STONE)

EGR Valve Gasket
 Idle Air Control Valve Gasket
 Mass Air Flow Sensor
 Throttle Position Sensor
 Turbocharger

(BOSCH / MITSUBISHI)

(AISAN / MITSUBISHI / NILES)

(MHI)

◆ Body & Engine Electrical

(AISAN) (NILES / U-SHIN)
 Accelerator Pedal Assembly Neutral Safety Switch Oil Pressure Switch
 (MITSUBA / NILES) (NILES / SANKEI)
 Accessory Relay Stoplight Switch
 (NILES) (SANKEI)
 Backup Lamp Switch Temperature Sending Switch
 Combination Switch- Door Thermo Fan Switch
 Horn Relay (FD / MITSUBISHI)
 Inhibitor Switch Voltage
 Power Window Switch (NWB)
 Turn Signal Switch Wiper Blade
 Wiper Switch
 (DENSO)
 Blower Resistor
 (KOITO)
 Bulb- Headlight, Taillight and Interior
 (MITSUBISHI)
 Glow Plug Relay
 (AISAN/BOSCH/MITSUBISHI/DIAMOND)
 Ignition Coil
 (U-SHIN)
 Ignition Starter Switch